



# Installation Frames & Actuator Plates

RELIABLE AND CONVENIENT IN-WALL TECHNOLOGY



## Toilet Frames

- 06 **Duravit Beta Toilet Half-Frame**  
for wet installation
- 07 **Duravit Beta Toilet Full-Frame**  
for solid wall or drywall installation

## Actuator Plates

- 12 **Duravit Beta 100**
- 14 **Duravit Beta 120**
- 16 **Duravit Beta 140**

# Toilet Frames

Duravit toilet frames offer reliable concealed solutions for the toilet. For the most common installation scenarios, whether dry-wall or wet construction.

Pre-assembled installation frames ensure quick, reliable and economical installation. Duravit gives bathroom designers and bathroom users the peace of mind that everything is perfectly harmonized, both on a functional and formal level.



# Duravit Beta Toilet Half-Frame

for wet installation

This wall installation system should be selected when installing the cistern in a solid wall that will be brick lined with a wall-hung toilet.



## Product Description

- Metal, galvanized, corrosion resistant
- Dual flush of 6/3 in-wall cistern compatible with either dual or single flush actuators
- Adjustable flush volumes to 4.5/3 liters
- 80mm thickness
- Mechanic actuation
- Working pressure from 0,1 to 16 bar
- Resistance to atmospheric humidity (Hr <90%).
- Silent Valve Class 1 NF certified
- Supplied with anti-condensation lining
- 10 year warranty

## Product Identification

# WF120 1000 010

# Duravit Beta Toilet Full-Frame

for solid wall or drywall installation

The installation system is suitable for applications in drywall with load bearing walls. The main advantage of the system is the easiness and speed of safely installing a cistern with a wall-hung toilet.



## Product Description

- Painted frame with 1,5mm thickness, corrosion resistant
- Easy and quick installation with Fast Fit system
- Minimum thickness of 120mm and adjustable up to 170mm
- Height regulation of the adjustable floor brackets (0-200 mm);
- One man assembly
- Frame tested for 400kg load
- Dual flush of 6/3 in-wall cistern compatible with either dual or single flush actuators
- Adjustable flush volumes to 4.5/3L
- 80mm thickness
- Mechanic actuation
- Working pressure from 0,1 to 16 bar
- Supplied with anti-condensation lining
- 10 year warranty

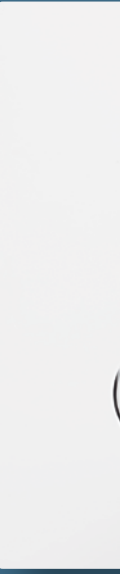
## Product Identification

# WF120 2000 010

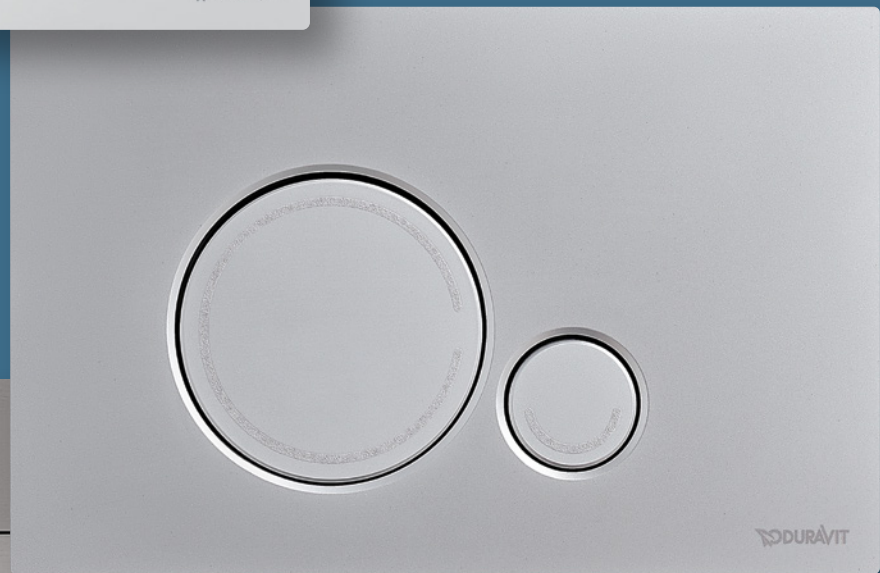
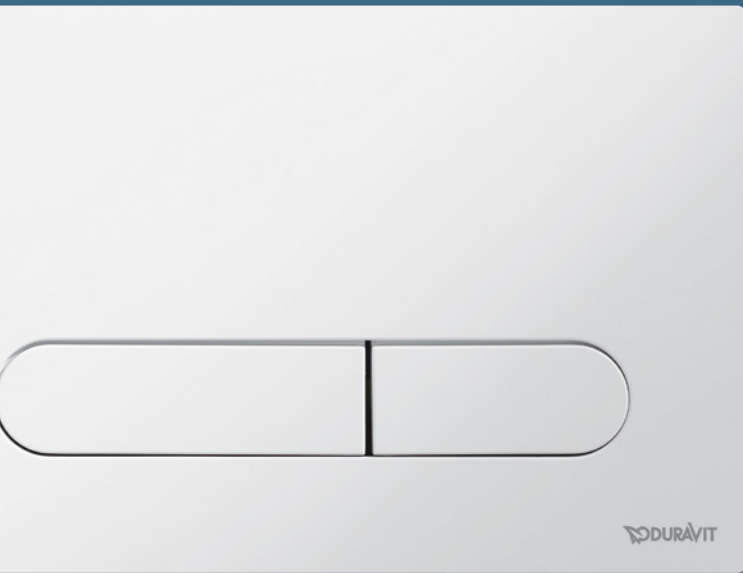
# Actuator Plates

At the end of the day, it's your bathroom. This is why you shouldn't make any compromises when it comes to choosing the actuator plate for the toilet flush. The actuator plate not only adds the finishing touch to your bathroom, it also offers comfort functions that can really enhance your lifestyle.

Duravit provides reliable, discreet behind-the-wall solutions that ensure perfect functionality, outstanding convenience and maximum durability.



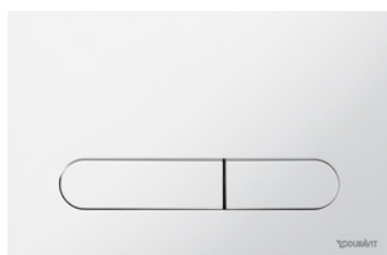




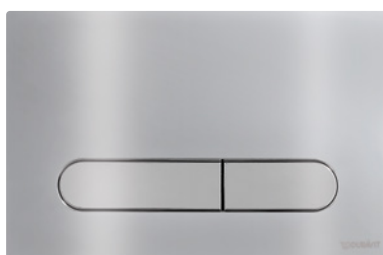
# Duravit Beta 100

Making the ordinary glamorous. Beta 100 fits in with any bathroom décor without blending into the background. Beta 100 is meant to stand out and be glamorous.

## Colours



White



Bright Chrome



Matt Chrome

## Product Description

- Dual flush
- Mechanic actuation
- Dimensions: 230 X 150 mm
- Actuation force <20N
- 6,5 mm thickness
- Opening and closing with "click" system
- 2 year warranty

### Product Identification

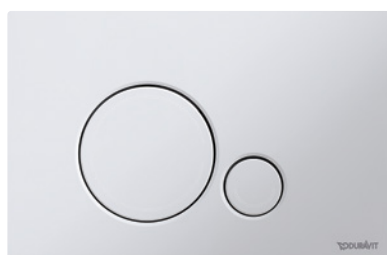
White	# WF510 0011 010
Bright Chrome	# WF510 0021 010
Matt Chrome	# WF510 0031 010



# Duravit Beta 120

Well-rounded and classic. Beta 120 easily distinguishes between the full flush and the half flush and provides a circular consistency with the surrounding bathroom décor.

## Colours



White



Bright Chrome



Matt Chrome

## Product Description

- Dual flush
- ABS control plate
- Actuation force <20N
- 6,5mm thickness
- Open and closing with click system
- Dimensions: 230 X 150 mm
- 2 year warranty

### Product Identification

White	# WF512 0011 010
Bright Chrome	# WF512 0021 010
Matt Chrome	# WF512 0031 010



# Duravit Beta 140

The Original. Perfect symmetry and elegance of form, slim and classy, with braille inscriptions.

## Colours



Metal Brushed

## Product Description

- Dual flush with Braille sinaletic
- Actuation force <20N
- Dimensions: 255 X 150 mm
- Stainless steel
- 6.5mm thickness
- 2 year warranty

### Product Identification

Metal Brushed

#WF514 0043 010



# Pricelist

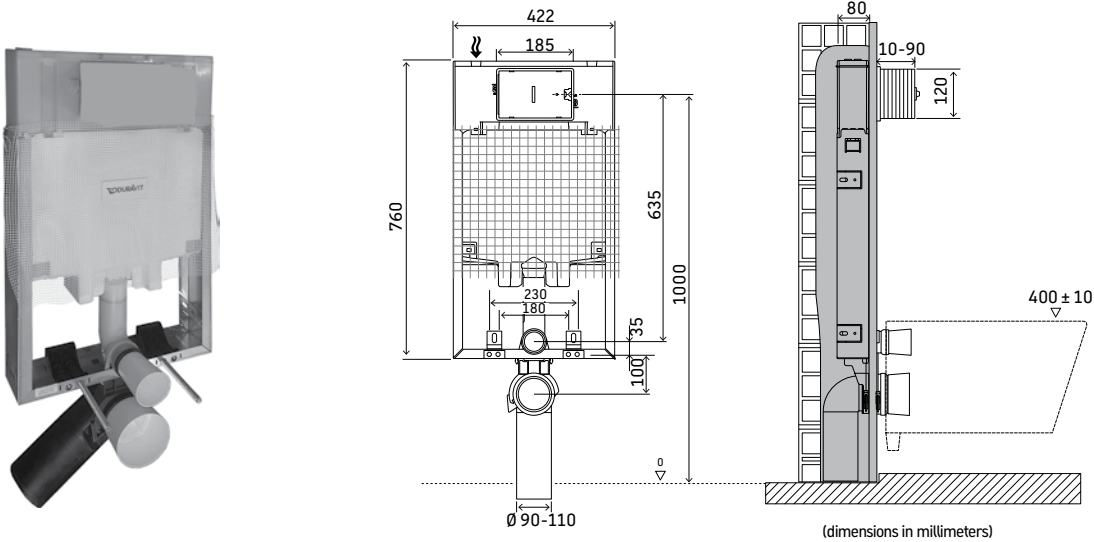




## Duravit Beta Toilet Half-Frame

خزان نصف شناسیه

for wet installation

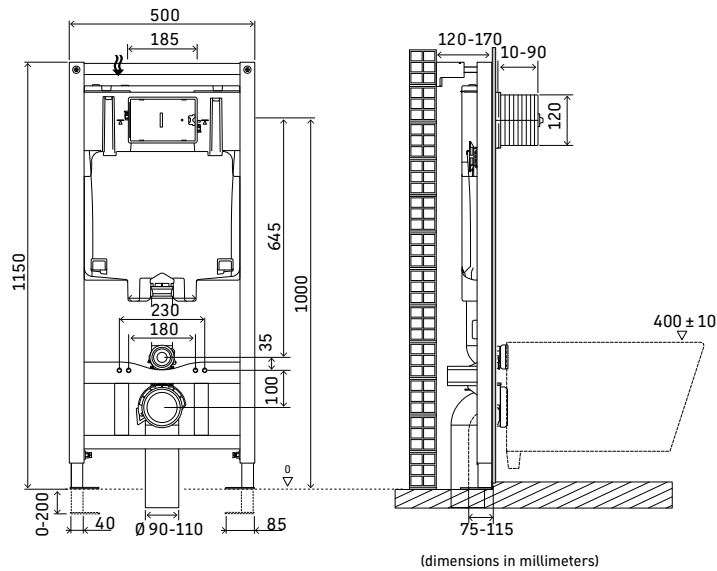


Description	Size mm	Model-No.	EGP
pre-installed frame	760x422x80	WF1201000010	3,160
<ul style="list-style-type: none"> <li>• Metal, galvanized, corrosion resistant</li> <li>• Dual flush of 6/3 in-wall cistern compatible with either dual or single flush actuators</li> <li>• Adjustable flush volumes to 4.5/3 liters</li> <li>• 80mm thickness</li> <li>• Mechanic actuation</li> <li>• Working pressure from 0,1 to 16 bar</li> <li>• Resistance to atmospheric humidity (Hr &lt;90%).</li> <li>• Silent Valve Class 1 NF certified</li> <li>• Supplied with anti-condensation lining</li> </ul>			

## Duravit Beta Toilet Full-Frame

خزان شناسیه کامل

for solid wall or drywall installation

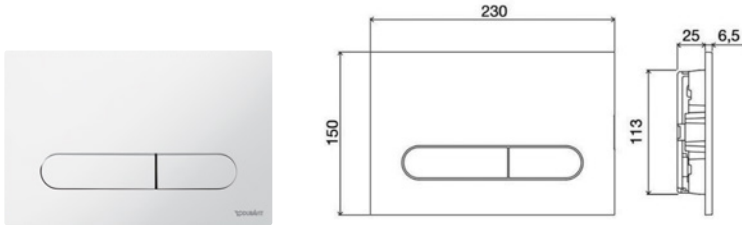


Description	Size mm	Model-No.	EGP
pre-installed frame	1150x500x120	WF1202000010	4,650
<ul style="list-style-type: none"> <li>• Painted frame with 1,5mm thickness, corrosion resistant</li> <li>• Easy and quick installation with Fast Fit system</li> <li>• Minimum thickness of 120mm and adjustable up to 170mm</li> <li>• Height regulation of the adjustable floor brackets (0-200 mm);</li> <li>• One man assembly</li> <li>• Frame tested for 400kg load</li> <li>• Dual flush of 6/3 in-wall cistern compatible with either dual or single flush actuators</li> <li>• Adjustable flush volumes to 4.5/3L</li> <li>• 80mm thickness</li> <li>• Mechanic actuation</li> <li>• Working pressure from 0,1 to 16 bar</li> <li>• Supplied with anti-condensation lining</li> </ul>			

## Duravit Beta 100

ضاغط

Actuator plate

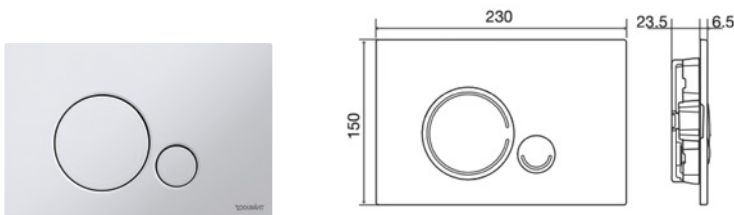


Description		Size mm	Model-No.	EGP
Front plate mechanical actuation				
white	أبيض	230 x 150	WF5100011010	720
bright chrome	كروم لامع	230 x 150	WF5100021010	1,180
matt chrome	كروم مط	230 x 150	WF5100031010	1,180

## Duravit Beta 120

ضاغط

Actuator plate

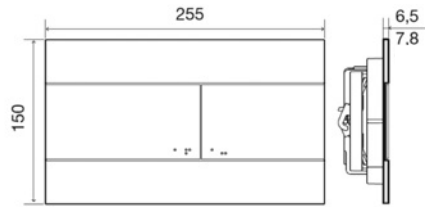


Description		Size mm	Model-No.	EGP
Front plate mechanical actuation				
white	أبيض	230 x 150	WF5120011010	720
bright chrome	كروم لامع	230 x 150	WF5120021010	1,180
matt chrome	كروم مط	230 x 150	WF5120031010	1,180

## Duravit Beta 140

ضاغط

Actuator plate



Description	Size mm	Model-No.	EGP
Front plate mechanical actuation			
metal brushed	255 x 150	WF5140043010	2,175
	معدن مصنفّر		

# Customer Services 19219

## **Duravit Egypt**

El Mosheer Ahmed Ismail St.  
Sheraton Heliopolis.

Phone +2 02 26968700

Fax +2 02 22681298

## **West Mark Mall**

Mubarak Education City Rd.,  
Sheikh Zayed City,  
6th of October - Egypt.

Phone +2 01 020045431

## **Cairo**

20 Salah Salem St.  
Heliopolis, Cairo.

Fax +2 02 24153702

+2 02 24187468

## **El Sheikh Zayed**

First District Second Zone  
Building No. 28 Apartment No. 4

## **Alexandria**

36, of 45 St., Miami.

Phone +2 03 5546790

+2 03 5546780

Fax +2 03 5548053

## **Sharm El Sheikh**

El Salam village /El Salam Road  
Building No. 15 Apartment No. 1

Phone +2 01 002126429

## **Hurgada**

City Centre Mall, block 88

Phone +2 01 001789418

+2 01 002553613

## **Assiut**

Mecca tower, El Nokrashy St.,  
Off El Helaly St.

Phone +2 08 82124263

+2 08 82124336

Fax +2 08 82124264

## **Mansoura**

60 Abd El Salam Aref St.,  
Haie Gharb.

Phone +2 05 02224801

+2 05 02224802

Fax +2 05 02224803

## **Aswan**

Atlas Square Fatema El Zahraa Tower  
First floor

Phone +2 01 028452580

خدمة العملاء  
ديورافيت  
١٩٢١٩

شرم الشيخ  
طريق السلام، خليج نعمة، بجانب مصر  
للبترو، جولدن سنتر، قطعة رقم ١٨  
تليفون +201002126429

الغردقة

سي تي سنتر مول - وحدة ٨٨  
تليفون +201001789418  
+201002553613

أسيوط

برج مكة - شارع النفراشي  
من شارع الهلالي  
تليفون +20882124263  
+20882124336  
فاكس +20882124264

المنصورة

60 شارع عبد السلام عارف.  
حي غرب.  
تليفون +20502224801  
+20502224802  
فاكس +20502224803

أسوان

ميدان اطللس برج فاطمة الزهراء  
الدور الأول  
تليفون +201028452580

ديورافيت إيجبت  
شارع المشير أحمد إسماعيل  
شيرتون هليوبوليس  
تليفون +20226968700  
فاكس +20222681298

مول ويست مارك

طريق مدينة مبارك للتعليم،  
مدينة الشيخ زايد  
السادس من أكتوبر  
تليفون +201020045431

القاهرة

20 شارع صلاح سالم  
مصر الجديدة - القاهرة  
فاكس +20224153702  
+20224187468

الشيخ زايد

الحي الأول المجاورة الثانية  
عمارة رقم 28 شقة رقم 4

الإسكندرية

36 شارع 45 - ميامي  
تليفون +2035546790  
+2035546780  
فاكس +2035548053



**Duravit Egypt**  
Duravit Building,  
Elmosheer Ahmed Ismail St.,  
Sheraton Heliopolis - Cairo 11361.  
Tel.: +20 226968700  
Fax: +20 222681298  
Factories: 10th. of Ramadan City,  
Industrial zone No. A6  
Customer services: 19219  
Tax register no. 207-462-984

ديورافيت إيجيبت  
مبنى ديورافيت  
ش. المشير أحمد اسماعيل  
شيراتون هليوبوليس - القاهرة 11361  
تليفون : 226968700  
فاكس : 222681298  
المصانع : مدينة العاشر من رمضان  
المنطقة الصناعية أ6  
خدمة العملاء : 19219  
بطاقة ضريبية رقم ٩٨٤ - ٤٦٢ - ٢٠٧

 **DURAVIT**